

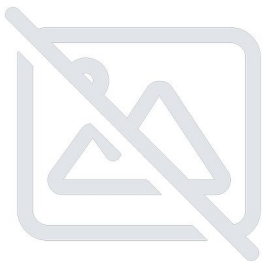
# NBC-M12MSD/2,0-93C/M 8MS 3X4 - Network cable



1484390

<https://www.phoenixcontact.com/us/products/1484390>

Please be informed that the data shown in this PDF document is generated from our online catalog. Please find the complete data in the user documentation. Our general terms of use for downloads are valid.



Network cable (100 Mbps), PROFINET (100 Mbps), EtherCAT® (100 Mbps), 4-position halogen-free, shielded (Advanced Shielding Technology), Plug straight M12, coding: D / IP67, on Plug straight M8, coding: A / IP67, cable length: 2 m

## Commercial data

Item number	1484390
Packing unit	1 pc
Minimum order quantity	1 pc
Note	Made to order (non-returnable)
Sales key	BF04
Product key	BF1CJN
GTIN	4063151968670
Weight per piece (including packing)	156.7 g
Weight per piece (excluding packing)	22.22 g
Customs tariff number	85444290
Country of origin	PL

1484390

<https://www.phoenixcontact.com/us/products/1484390>

## Technical data

### Product properties

Product type	Data cable preassembled
Number of positions	4
Shielded	yes

### Insulation characteristics

Degree of pollution	3
---------------------	---

### Interfaces

Bus system	Ethernet
Signal type/category	PROFINET, 100 Mbps
	EtherCAT <sup>®</sup> , 100 Mbps

### Signaling

Status display	No
Status display present	No

### Electrical properties

Nominal voltage $U_N$	30 V AC
	30 V DC
Nominal current $I_N$	4 A
Transmission medium	Copper

### Connector

#### Connection 1

Type	Plug straight M12 / IP67
Number of positions	4
Coding type	D (Data)
Handle color	black
Material	CuSn (Contact)
	Ni/Au (Contact surface)
	PA (Contact carriers)
	TPU, hardly inflammable, self-extinguishing (Grip)
	Zinc die-cast, nickel-plated (Screw connection)
	FKM (Seal)
Insertion/withdrawal cycles	≥ 100
Contact resistance	≤ 5 mΩ
Insulation resistance	≥ 100 MΩ
Tightening torque	0.4 Nm
Degree of protection	IP67
Ambient temperature (operation)	-25 °C ... 90 °C

# NBC-M12MSD/2,0-93C/M 8MS 3X4 - Network cable



1484390

<https://www.phoenixcontact.com/us/products/1484390>


## Connection 2

Type	Plug straight M8 / IP67
Number of positions	4
Coding type	A (Standard)
Handle color	black
Material	CuSn (Contact) Ni/Au (Contact surface) TPU GF (Contact carriers) TPU, hardly inflammable, self-extinguishing (Grip) Zinc die-cast, nickel-plated (Screw connection)
Insertion/withdrawal cycles	≥ 100
Contact resistance	≤ 5 mΩ
Insulation resistance	≥ 100 MΩ
Tightening torque	0.2 Nm
Degree of protection	IP67
Ambient temperature (operation)	-25 °C ... 90 °C

## Cable/line

Cable length	2 m
--------------	-----

## PROFINET drag chain CAT5 [93C]

Dimensional drawing	
Shielded	yes
Cable weight	61 kg/km
Cable type	PROFINET drag chain CAT5
Short symbol	2YH(ST)C11Y
Cable type (abbreviation)	93C
Signal type/category	PROFINET CAT5 (IEC 11801), 100 Mbps EtherCAT <sup>®</sup> CAT5 (IEC 11801), 100 Mbps
Cable structure	1x4xAWG22/7, SF/TQ
External cable diameter	6.5 mm ±0.2 mm
Outer sheath, material	PUR
External sheath, color	green RAL 6018
Thickness, outer sheath	approx. 0.9 mm
Material, inner sheath	FRNC
Conductor material	Tin-plated Cu litz wires
Conductor structure signal line	7x 0.25 mm

# NBC-M12MSD/2,0-93C/M 8MS 3X4 - Network cable



1484390

<https://www.phoenixcontact.com/us/products/1484390>

AWG signal line	22
Conductor cross section	4x 0.34 mm <sup>2</sup>
Material wire insulation	PE
Wire diameter incl. insulation	1.5 mm
Single wire, color	white, yellow, blue, orange
Overall twist	Star quad
Shielding	Aluminum-coated foil, tinned copper braided shield
Optical shield covering	85 %
Nominal voltage, cable	600 V (UL rating)
Test voltage Core/Core	2000 V (50 Hz, 1 min.)
Test voltage Core/Shield	2000 V (50 Hz, 1 min.)
Cable insulation resistance	≥ 500 MΩ*km
Coupling resistance	≤ 20.00 mΩ/m (at 10 MHz)
Wave impedance	100 Ω ±15 Ω (at 1 ... 100 MHz)
Loop resistance	≤ 120.00 Ω/km
Signal runtime	5.3 ns/m
Signal speed	0.66 c
Tensile strength	≤ 150 N
Minimum bending radius, fixed installation	5 x D
Minimum bending radius, flexible installation	7.5 x D
Number of bending cycles	3000000
Bending radius	100 mm
Traversing path	10 m
Traversing rate	4 m/s
Acceleration	4 m/s <sup>2</sup>
Torsion force	± 30 °/m
Damping	2.1 dB (with 1 MHz) 4 dB (at 4 MHz) 6.3 dB (at 10 MHz) 8 dB (at 16 MHz) 9 dB (at 20 MHz) 11.4 dB (at 31.25 MHz) 16.5 dB (at 62.5 MHz) 21.3 dB (at 100 MHz)
Near end crosstalk attenuation (NEXT)	80 dB (with 1 MHz) 76 dB (at 4 MHz) 70 dB (at 10 MHz) 65 dB (at 16 MHz) 63 dB (at 20 MHz) 60 dB (at 31.25 MHz) 55 dB (at 62.5 MHz) 50 dB (at 100 MHz)
Halogen-free	yes
Resistance to oil	in accordance with DIN EN 60811-2-1

# NBC-M12MSD/2,0-93C/M 8MS 3X4 - Network cable



1484390

<https://www.phoenixcontact.com/us/products/1484390>

Flame resistance	according to IEC 60332-1-2
Other resistance	UV resistant
Special properties	Electrical properties in accordance with EN 50288-2-2
Ambient temperature (operation)	-40 °C ... 70 °C (Cable, flexible installation)
	-40 °C ... 70 °C (cable, fixed installation)

## Environmental and real-life conditions

### Ambient conditions

Degree of protection	IP65
	IP67
	IP65/IP67
Ambient temperature (operation)	-25 °C ... 90 °C (Plug / socket)

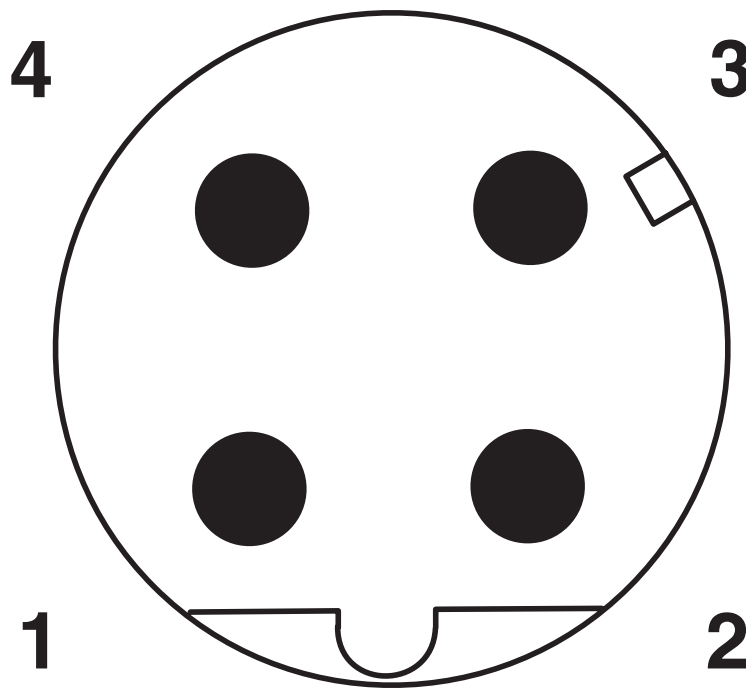
## Standards and regulations

### M8

Standard designation	M8 connector
Standards/specifications	IEC 61076-2-104

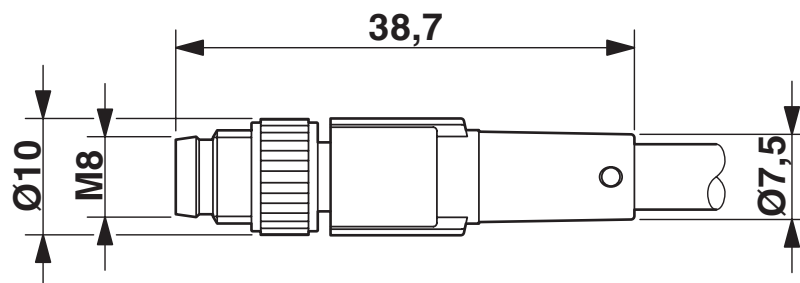
## Drawings

Schematic diagram



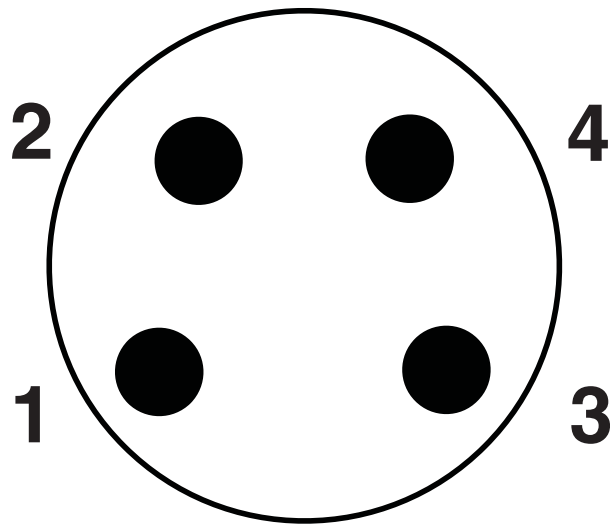
Pin assignment M12 male connector, 4-pos., D-coded, male side

Dimensional drawing



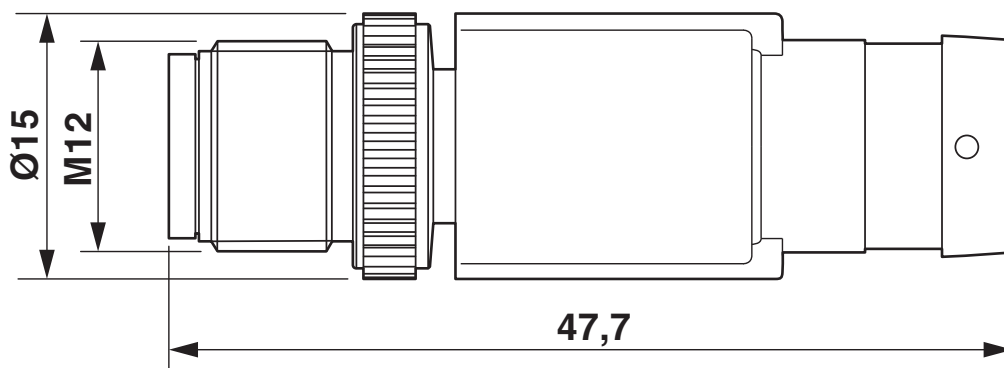
M8 x 1 male plug, straight version

Schematic diagram



Pin assignment M8 plug, 4-pos., view male side

Dimensional drawing



Plug, M12 x 1, straight, shielded

# NBC-M12MSD/2,0-93C/M 8MS 3X4 - Network cable



1484390

<https://www.phoenixcontact.com/us/products/1484390>

## Classifications

### ECLASS

ECLASS-11.0	27060307
ECLASS-12.0	27060307
ECLASS-13.0	27060307

### ETIM

ETIM 8.0	EC001855
----------	----------

# NBC-M12MSD/2,0-93C/M 8MS 3X4 - Network cable



1484390

<https://www.phoenixcontact.com/us/products/1484390>

## Environmental product compliance

REACH SVHC

Lead 7439-92-1

Phoenix Contact 2024 © - all rights reserved

<https://www.phoenixcontact.com>

Phoenix Contact USA  
586 Fulling Mill Road  
Middletown, PA 17057, United States  
(+717) 944-1300  
[info@phoenixcon.com](mailto:info@phoenixcon.com)